

1 COMFORT 15-14 BXA PM



: 97916749

The Grundfos Comfort BA PM and BXA PM pumps are designed for recirculation of domestic hot water in single- and two-family houses securing hot water instantly to all faucets. The pumps have a corrosion-resistant pump housing suitable for drinking water and are powered by a single-phase, high-efficiency ECM with permanent-magnet rotor.

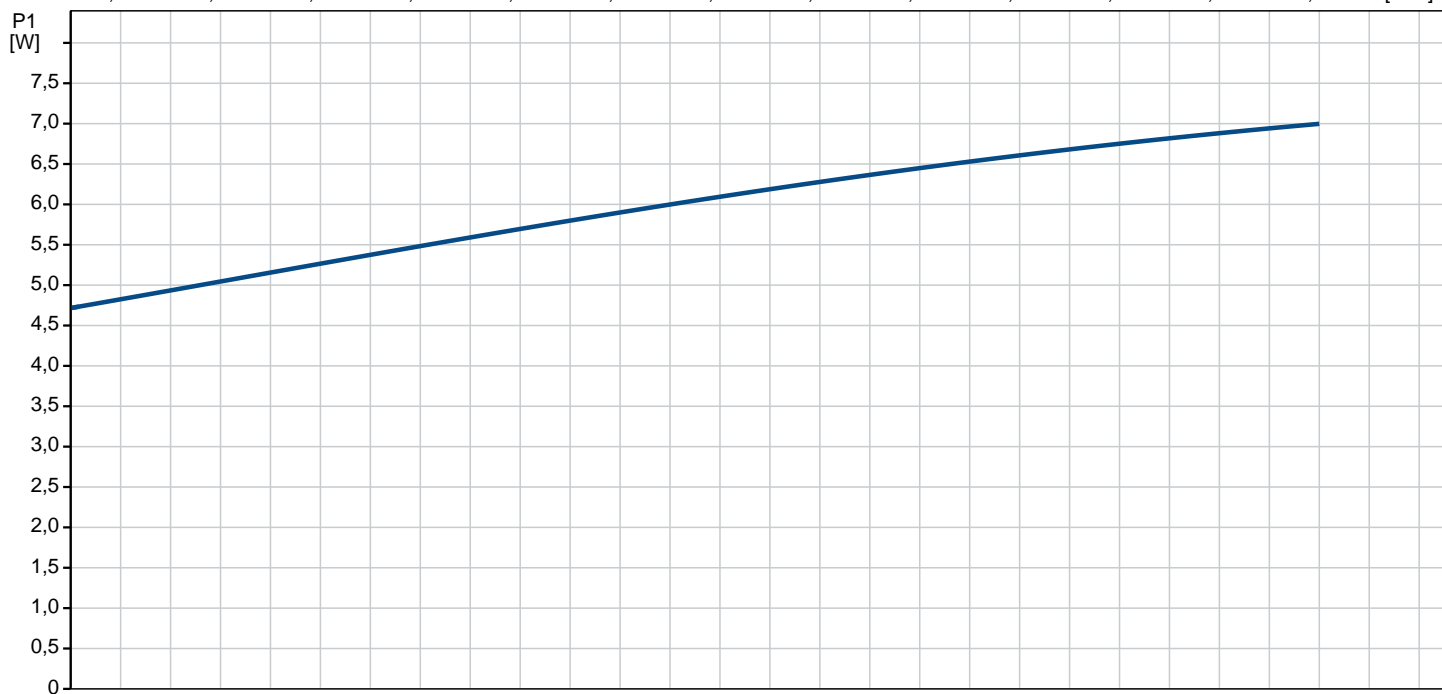
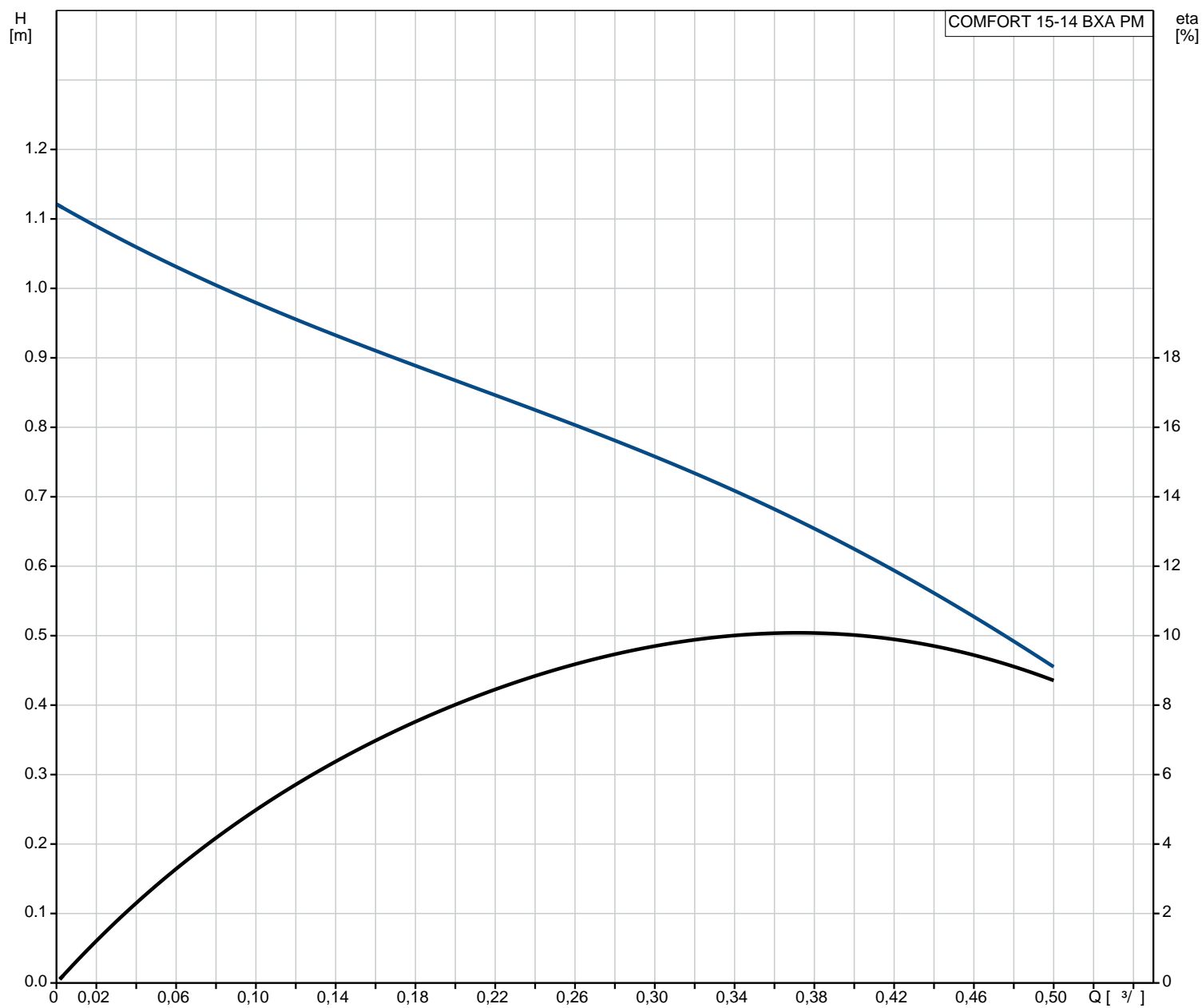
The AUTOADAPT function incorporates an event log that learns the scheme of demand for hot water in the domestic hot-water system. Via the event log, the pump predicts when to start circulating hot water ensuring hot water is instantly available at all use points. Should the consumption pattern change, for example during holidays, the pump will recognise the standstill after 24 hours and automatically adapts to holiday mode. When returning from holiday, the pump will automatically resume the same consumption pattern as before the holiday.

The unique AUTOADAPT feature is saving up to 48 % heat energy and 97 % motor energy compared with a standard pump in continuous operation. Additionally, the pump can be set to temperature control mode and continuous operation 100 % for commissioning of the pump or 24 hours instant hot water.

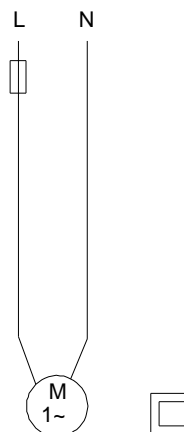
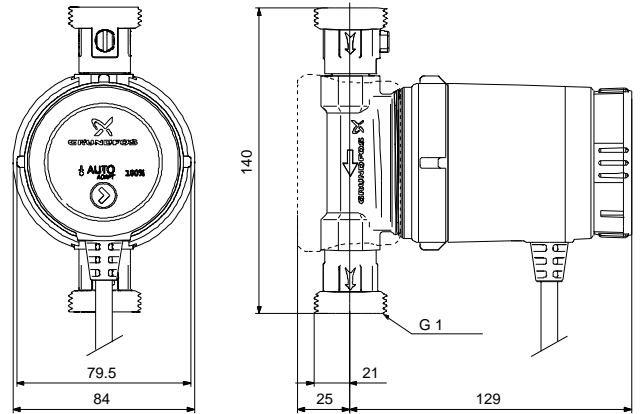
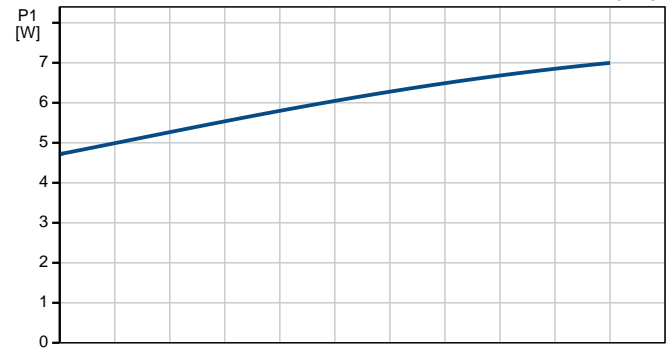
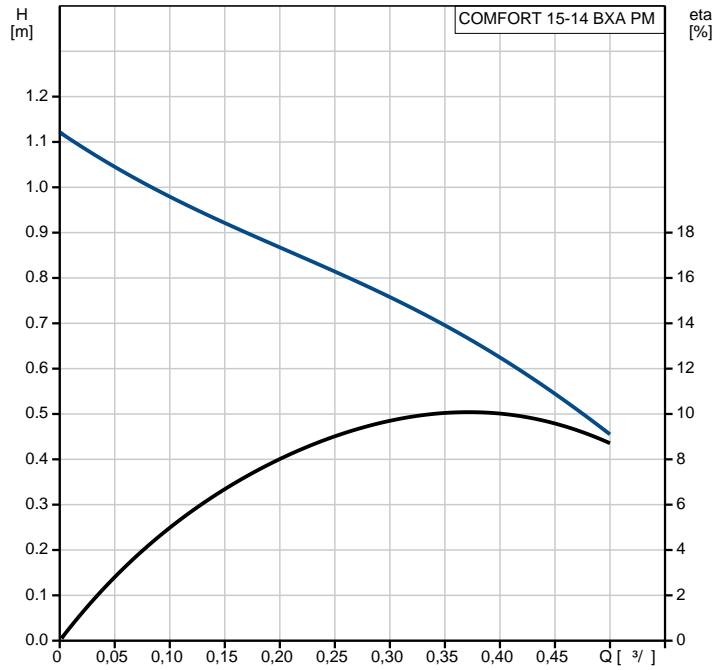
The pumps are equipped with a flushing and disinfection function which automatically circulates water to protect against bacterial growth in the pipes.

COMFORT BXA PM has a built-in isolating valve and a non-return valve (fitting). This ensures that maintenance can be carried out without draining the system. The non-return valve also prevents reversed flow during operation.

97916749 COMFORT 15-14 BXA PM



No.:	COMFORT 15-14 BXA PM
EAN	97916749
	5710626363742
No:	1
	14 dm
	95
	CE,VDE,EAC,WEEE
	Brass
	10 bar
	G
	1
	140 mm
	2 .. 95 °C
	60 °C
	983.2 kg/m ³
	7 W
	50 / 60 Hz
	1 x 230 V
3:	0.07 A
	0.6 µF
(IEC 34-5):	IP44
(IEC 85):	F
	ELECT.
	1.18 kg
	1.28 kg
	0.003 m ³
VVS	380635120
RSK	5803087
	DE
	84137030



97916749 COMFORT 15-14 BXA PM

